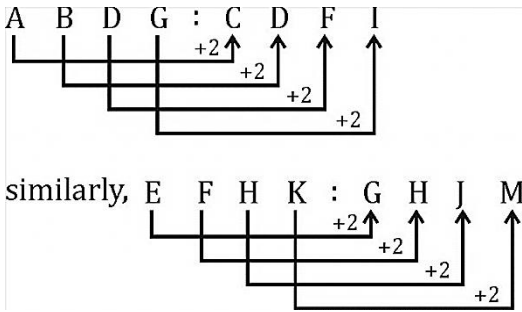


**SSC CGL TIER - I (GENERAL INTELLIGENCE AND REASONING)**  
**Memory Based**

1. (A)



2. (D);  $5^2 + 1 : 7^2 - 1$

So,  
 $9^2 + 1 : 11^2 - 1 = 120$

3. (C); Book contains pages as well as wall contains bricks.

4. (d); Plant is different from others.

5. (d);  
3 5 — 5 1  
So, there is not repeat letter.

6. (a);  
E  $\xrightarrow{+3}$  H  $\xrightarrow{+2}$  J  
J  $\xrightarrow{+3}$  M  $\xrightarrow{-1}$  L

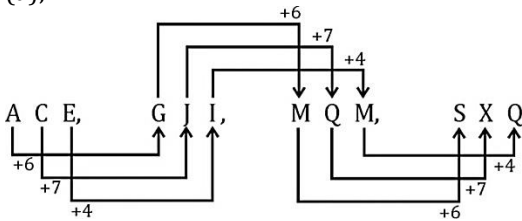
P  $\xrightarrow{+3}$  S  $\xrightarrow{-1}$  R

V  $\xrightarrow{+3}$  Y  $\xrightarrow{-1}$  X

7. (b); Dictionary order is -

1. Pastern
2. Pastor
3. Patriot
4. Patron
5. Pattern

8. (a);



9. (b); M N O M N Q M M N O M N Q M

10. (c);  $14 \times 2 - 1 = 27$   
 $27 \times 2 - 2 = 52$

$$52 \times 2 - 3 = 101$$

$$101 \times 2 - 4 = 198$$

$$198 \times 2 - 5 = 391$$

11. (b); Because here is only one 'T'

12. (d); A = 1

$$\text{CAT} = 3 \times 1 \times 20 \Rightarrow 60$$

$$\therefore \text{MAN} = 13 \times 1 \times 14 \Rightarrow 182$$

13. (a); = 44 Q 9 R 12 S 6 Q 4 P 16

$$= 44 \times 9 \div 12 - 6 \times 4 + 16$$

$$= 33 - 24 + 16$$

$$= 25$$

14. (d); Relative speed =  $5 + 4 = 9$  km/hr

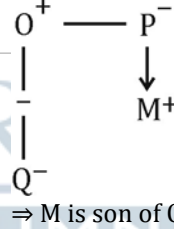
$$\therefore \text{Distance} = \text{speed} \times \text{times}$$

$$= 9 \times 3$$

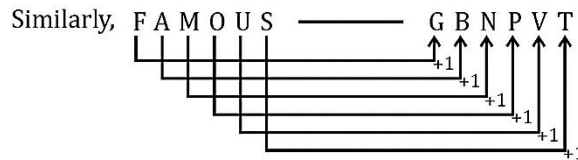
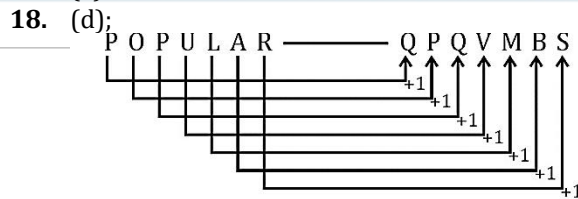
$$= 27 \text{ km.}$$

15. (b); Alka > Usha > Nisha > Asha > Harsha.

16. (a); From the family tree —



17. (a);



19. (d); Number of triangles = 16

20. (a)

21. (b)

22. (a)

23. (d)

24. (a)

25. (c)